

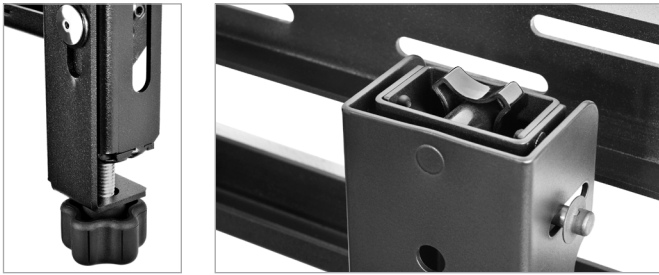
# MOBILE VIDEOWALL TROLLEY PD02VWM 2X2 46 55 L

ORDER CODE: 100013865

Mobile Videowall Trolley for 2x2 installations of NEC MultiSync® 46" to 55" XUN/S/V, XS and P Series.

Designed for modularity, this 2x2 video wall cart configuration allows the user to create a flawless video wall with screen ranges from 46" to 55" displays. This videowall trolley offers an 8-point micro-adjustment to create a seamless alignment without the need of tools. Designed for a quick set-up and tear down, the cart features a quick-connect latch for adaptors, allowing automatic engagement with mounting rails. Media storage and cable management create a sleek appearance for any application setting.

## TOOL-LESS MICRO ADJUSTMENT



PD02VWM 2x2 46 55 L



## Delivering Genuine Benefits

Free standing videowall solution for 2x2 display configurations

Tool-less micro adjustments at 8 point seamlessly align the displays

Adaptors feature a quick connect latch for automatic engagement with the mounting rails and ease of set-up

Lockable 127mm casters enable safe and easy maneuverability over various flooring surfaces

Cable management through rear adjustable cable centralizing brackets

Designed for quick set-up and tear down

Rear media storage shelf and cover stores components while maintaining a clean appearance

Converts from a trolley to a stand with optional Cart Feet FT03

PD02VWM 2x2 46 55 L



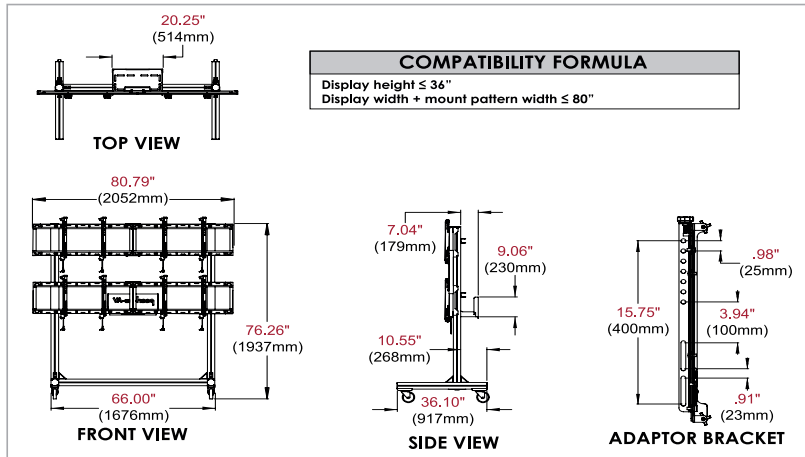


# MOBILE VIDEOWALL TROLLEY PD02VWM 2X2 46 55 L

ORDER CODE: 100013865

## TECHNICAL DRAWINGS

PD02VWM 2X2 46 55 L



## TECHNICAL SPECIFICATIONS

ORDER CODES	
PD02VWM 2x2 46 55 L	100013865
FT03	100013989
MIN. DEPTH	917 mm
VESA PATTERN	200 x 200; 600 x 400
CONFIGURATION	
Configuration	2x2
Orientation	Landscape
Max. weight capacity	227 kg
MECHANICAL	
Package Dimensions (H x W x D)	2134 x 953 x 318 mm
Shipping Weight	84.0 kg
Weight of Trolley	74.1 kg
Shipping Content	Cart frame, 127mm casters, adapter brackets, cart base cover and mounting hardware
OTHER SPECIFICATIONS	
Supported NEC Public Displays	MultiSync® 46" to 55" XUN/S/V, XS and P Series
Videowall options	Over Frame Kit (KT-46UN-OF2, KT-46UN-OF3, KT-55UN-OF, KT-55UN-OF2); Remote Control Kit (KT-RC, KT-RC2); Calibration Kit (KT-LFD-CC, KT-LFD-CC2) "
Certificates / Standards	UL Listed, RoHs
Warranty	5 years
For additional pictures and Solutions overview, Visit <a href="http://www.nec-display-solutions.com">www.nec-display-solutions.com</a> for details.	

This document is © Copyright 2014 NEC Display Solutions Europe GmbH. All rights are reserved in favour of their respective owners. The document, or parts thereof, should not be copied, adapted, redistributed, or otherwise used without the prior written permission of NEC Display Solutions Europe GmbH. This document is provided "as is" without warranty of any kind whatsoever, either express or implied. Errors and omissions are excepted.

NEC Display Solutions Europe GmbH may make changes, revisions or improvements in, or discontinue the supply of any product described or referenced in this document at any time without notice. 24 February 2015

NEC Information:

Call: +49 (0)89/99 699-0

Email: [infomail@nec-displays.com](mailto:infomail@nec-displays.com)

[www.nec-display-solutions.com](http://www.nec-display-solutions.com)

Empowered by Innovation

